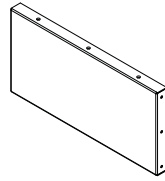


IRP1-1025 10U Rackmount Solid/Vented Panel Installation



Included in this package

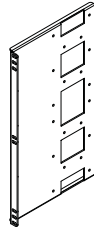
(2) Solid/Vented Panel ①



(12) M4 x 8 Screws



(2) Ear Bracket ②



(6) #10-32 x 5/8 Screws

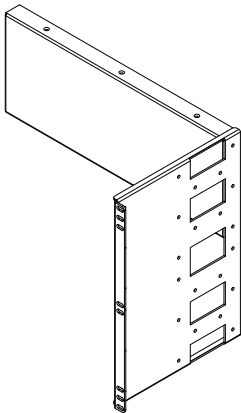


(6) #12-24 x 5/8 Screws

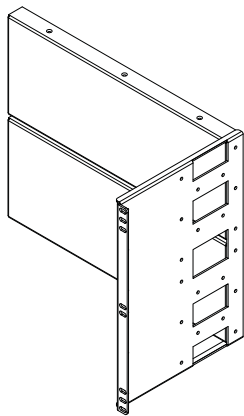


Installation Steps

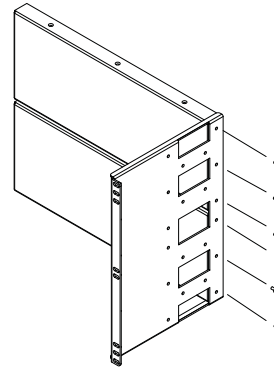
1



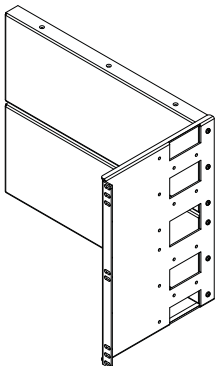
2



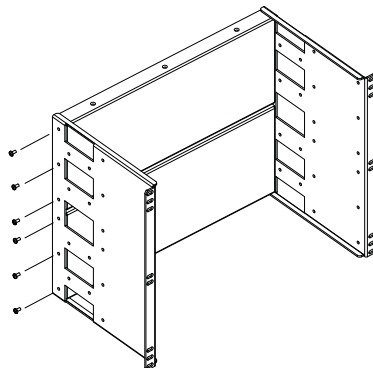
3



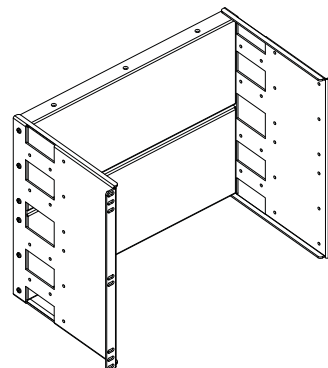
4



5



6



Assembly Complete